

**READ BEFORE USE**  
**LIRE AVANT UTILISATION**  
**LEA ANTES DE USAR**

Visit [www.hamiltonbeach.com](http://www.hamiltonbeach.com) for our complete line of products and Use and Care Guides – as well as delicious recipes, tips, and to register your product online!

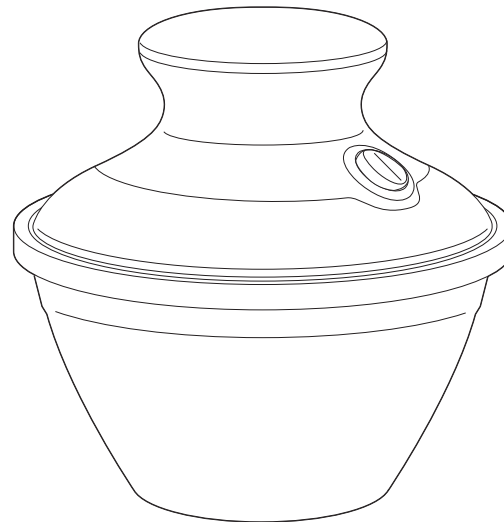
Rendez-vous sur [www.hamiltonbeach.ca](http://www.hamiltonbeach.ca) pour notre liste complète de produits et de nos manuels utilisateur – ainsi que nos délicieuses recettes, nos conseils et pour enregistrer votre produit en ligne !

¡Visite [www.hamiltonbeach.com.mx](http://www.hamiltonbeach.com.mx) para obtener nuestra línea completa de productos y las Guías de Uso y Cuidado, además de deliciosas recetas, consejos y para registrar su producto en línea!

**Questions?**  
Please call us – our friendly associates are ready to help.  
USA: 1.800.851.8900

**Questions ?**  
N'hésitez pas à nous appeler – nos associés s'empresseront de vous aider.  
CAN : 1.800.267.2826

**¿Preguntas?**  
Por favor llámenos – nuestros amables representantes están listos para ayudar.  
MEX: 01 800 71 16 100  
Le invitamos a leer cuidadosamente este instructivo antes de usar su aparato.



**Hamilton  
Beach®**

*Half-Pint Soft Serve  
Ice Cream Maker  
Sorbetière crème  
glacée molle  
Heladora Cremosa  
de Media Pinta*

English .....	2
Français .....	12
Español .....	22

## IMPORTANT SAFEGUARDS

When using electrical appliances, basic safety precautions should always be followed to reduce the risk of fire, electric shock, and/or injury to persons, including the following:

1. Read all instructions.
2. Check voltage to be sure that the voltage indicated on the nameplate agrees with your voltage.
3. To protect against risk of electrical shock, do not put motor housing of appliance in water or other liquid.
4. Close supervision is necessary when any appliance is used by or near children. This is not a toy or children's product. This product is not designed or intended for use by children age 12 or younger.
5. Unplug from outlet when not in use, before putting on or taking off parts, and before cleaning.
6. Avoid contacting moving parts.
7. Do not operate any appliance with a damaged cord or plug or after the appliance malfunctions, or is dropped or damaged in any manner. Call our toll-free customer service number for information on examination, repair, or electrical or mechanical adjustment.
8. The use of attachments not recommended or sold by the appliance manufacturer may cause fire, electric shock, or injury.
9. Do not use outdoors.
10. Do not let cord hang over edge of table or counter or touch hot surfaces.
11. Keep hands and utensils out of freezer bowl while in use to reduce the risk of injury to persons or to the appliance itself.
12. Do not place on or near hot surfaces such as a hot gas or electric burner. Do not use this unit near oven, heater, or fireplace.
13. Do not operate dry. Always have mixture in freezer bowl.
14. Do not use appliance for other than intended purpose.

## SAVE THESE INSTRUCTIONS!

### OTHER CONSUMER SAFETY INFORMATION

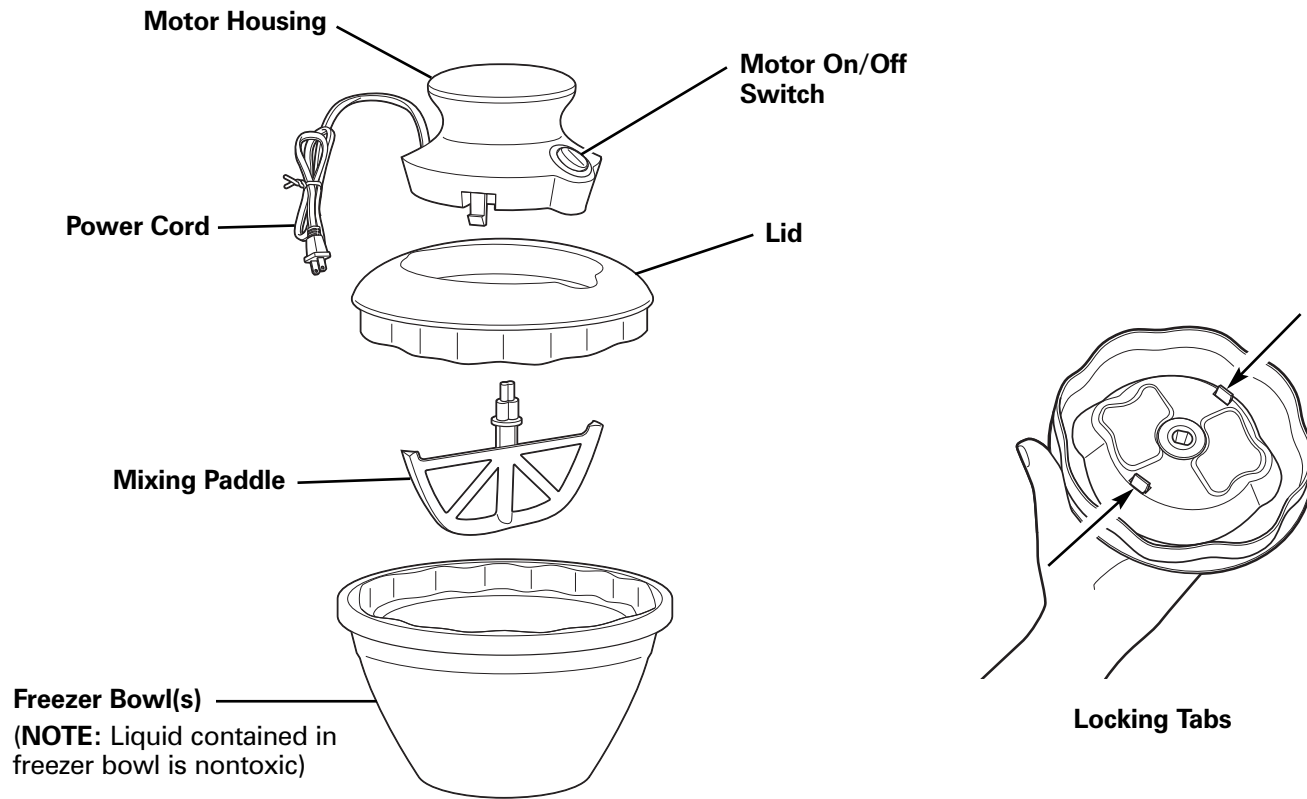
**This appliance is intended for household use only.**

**WARNING!** Shock Hazard: This appliance has a polarized plug (one wide blade) that reduces the risk of electric shock. The plug fits only one way into a polarized outlet. Do not defeat the safety purpose of the plug by modifying the plug in any way or by using an adapter. If the plug does not fit, reverse the plug. If it still does not fit, have an electrician replace the outlet.

The length of the cord used on this appliance was selected to reduce the hazards of becoming tangled in or tripping over a longer cord. If a longer cord is necessary, an approved extension cord may be used. The electrical rating of the extension cord must be equal to or greater than the rating of the appliance. Care must be taken to arrange the extension cord so that it will not drape over the counter-top or tabletop where it can be pulled on by children or accidentally tripped over.

# Parts and Features

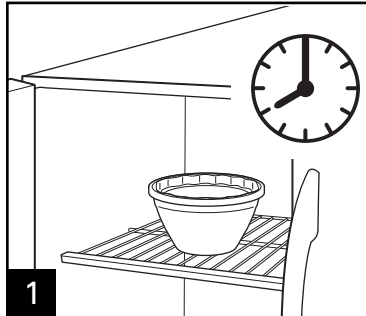
**BEFORE FIRST USE:** Remove all literature and packing material from inside the ice cream maker. Clean freezer bowl(s), mixing paddle, and lid in warm, soapy water. Thoroughly rinse and dry all parts. **DO NOT** immerse motor in water. To clean, wipe with a damp cloth.



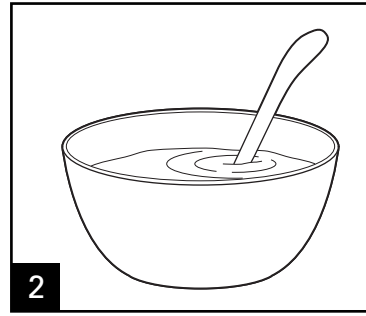
# How to Make Ice Cream

## FOR BEST RESULTS:

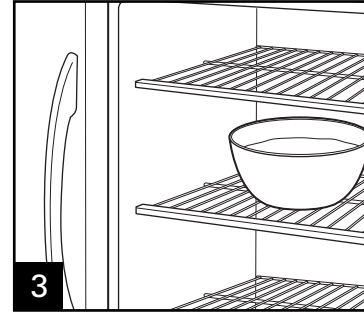
- Before churning, thoroughly chill ice cream mixture in the refrigerator and the freezer bowl(s) in freezer. Freezer bowl(s) should remain in the freezer for at least 8 hours before use. Freezer temperature should be set to the coldest setting and bowls should be placed towards the back wall.
- This unit produces **soft serve ice cream**—the consistency will not be the same as hard, store-bought ice cream.
- If ice cream is not made after running the unit for 15 minutes maximum, your bowls have not been frozen long enough OR your freezer is not cold enough. See Troubleshooting section.
- If you wish to store any leftover ice cream in the freezer bowl, simply place it inside a large plastic zippered storage bag and put it back into the freezer.



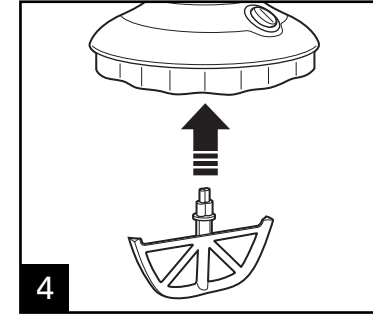
Allow freezer bowl(s) to freeze completely. **NOTE:** Liquid contained in freezer bowl(s) is nontoxic.



Prepare ice cream mixture. **NOTE:** Use between 6–12 oz. of mixture. Do not exceed 12 oz.

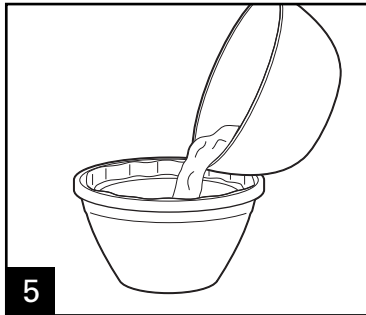


Chill mixture in refrigerator.

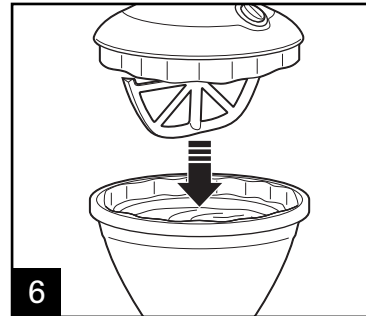


Insert mixing paddle into motor housing.

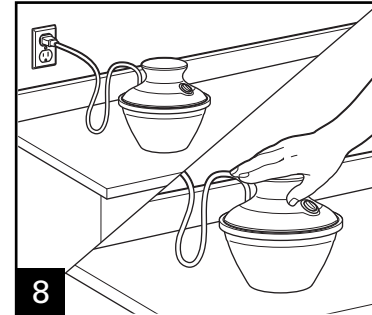
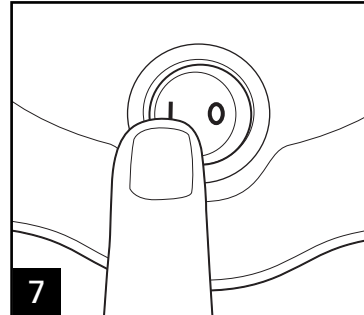
## How to Make Ice Cream (cont.)



Pour chilled mixture into freezer bowl. Do not exceed 12 oz. (360 ml) of chilled mixture. Make ice cream one bowl at a time.



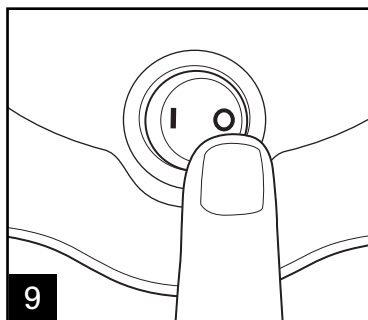
Ensure lid with motor housing is securely placed on freezer bowl. Plug into outlet. Press switch to ON (I).  
**IMPORTANT:** Place lid on bowl quickly after pouring ingredients into bowl, within a few seconds if possible. This will yield better results.



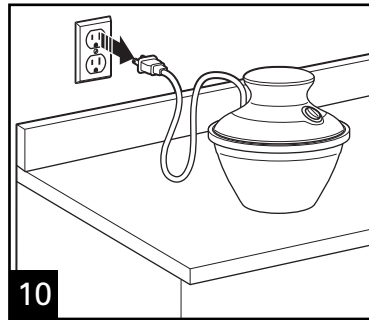
Allow paddle to churn in mixture for approximately 5–15 minutes. If needed, press down lightly on lid during the first few minutes of churning. This may be needed from time to time on lower-fat/ lower-sugar recipes.

**NOTE:** Pushing too hard will result in the paddle reversing back and forth.

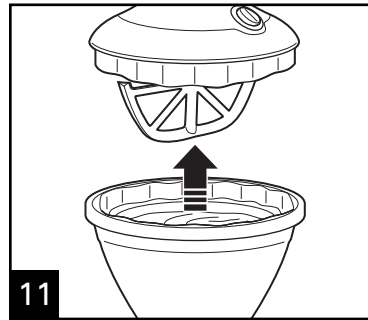
## How to Make Ice Cream (cont.)



**9** Ice cream is done when it looks like "soft serve." A thin layer of ice cream may stick to the outside of bowl; this is normal. Turn OFF (O); then let sit with mixing paddle/lid still attached for about 2 minutes, allowing the ice cream to freeze further.



**10** Unit will not turn OFF automatically. You must press switch to OFF (O) to stop churning. Unplug from outlet.



**11** Remove lid. Frozen mixture may be eaten directly out of the freezer bowl. To prevent surface scratching, using plastic utensils is recommended when eating directly from freezer bowls.

### TO MAKE:

6 ounces (180 ml)

12 ounces (360 ml)

### CHURN APPROXIMATELY:

5–6 minutes

8–9 minutes

After turning unit off, let it sit with the paddle and lid still attached for approximately 2 minutes (see Step 10).

**NOTE:** If the ice cream mixture is too thick, or sat in freezer bowl too long before churning, the paddle may struggle and/or reverse directions. Turn unit OFF (O), break up the mixture in the bowl with a spoon, replace the paddle, and turn back ON (I).

## *Tips for Best Results*

- The machine will run until turned off. See Troubleshooting if your unit did not make ice cream in 15 minutes.
- Add mix-ins, such as chocolate chips or chopped nuts, after ice cream has churned for at least 5 minutes or when mixture is thick and has started to freeze. Make sure the mixing paddle is firmly pressed down to the bottom of the freezer bowl when replacing lid (after adding mix-ins). The mixing paddle should continue scraping the freezer bowl and not sit on top of the mix-in ingredients.
- The finished result is a soft, spoonable ice cream. Homemade ice cream will not be the same consistency as hard, store-bought ice cream.
- Ice cream tastes best when fresh. It will begin to lose its fresh taste after several days in the freezer.
- Using metal utensils may scratch the surface of the freezer bowls, but this will not harm the unit. Plastic utensils are recommended when eating directly from the freezer bowls to extend the life of your unit.
- Placing hand on lid and pressing down lightly will help churning and prevent as much ice cream from sticking to the side of the bowl. A thin layer of ice cream will always stick to the outside of the bowl; this is normal.
- Keep the freezer bowl(s) in the freezer so that you can make ice cream at any time.
- For best results, the freezer bowl must be frozen thoroughly. Make sure to set your freezer at the coldest setting (temperature should not be more than 0°F [-18°C]).
- Firmness of ice cream depends on variables such as the recipe used, room temperature, and temperature of ingredients before churning.
- Some recipes require the mixture to be precooked. Make the recipe at least one day ahead. This will allow the mixture to cool completely and increase volume. Base mixture may not freeze if it is not thoroughly chilled.
- Do not remove freezer bowl from the freezer until ready to use.
- Do not puncture or heat the freezer bowl.

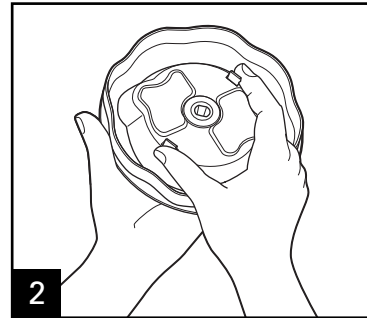
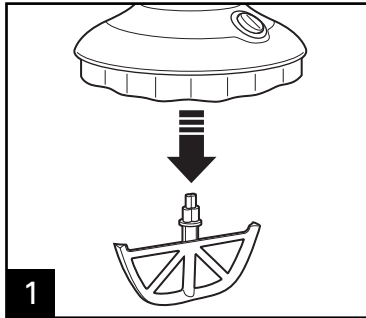
# Cleaning

**⚠ WARNING**

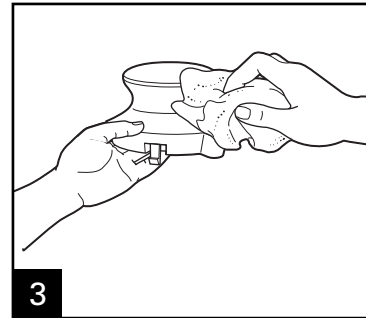
**Electrical Shock Hazard.**

Disconnect power before cleaning.

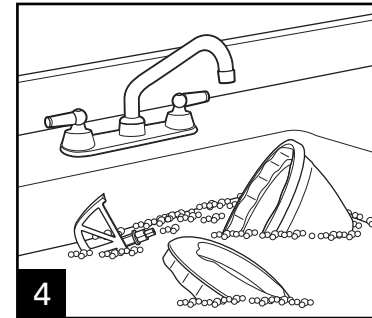
Do not immerse motor housing or cord in any liquid.



Squeeze locking tabs and remove motor housing from lid.



Wipe motor housing with a damp cloth. Do not immerse in water or other liquid.



Wash lid, mixing paddle, and freezer bowl in sink. The lid and mixing paddle may be placed in the top rack of the dishwasher.



# Troubleshooting

## PROBLEM

Ice cream is not firm enough or ice cream maker is still running after 15 minutes.

Ice cream maker stops churning before ice cream is ready.

Surface of bowl(s) scratched.

Ice cream too firm.

Thick layer of ice cream sticking to sides of bowl(s).

## PROBABLE CAUSE

- The freezer bowl was not in the freezer long enough (for best results, at least 8 hours or preferably overnight).
- The freezer is not cold enough. Ice cream sets at 10° to 14°F (-12° to -10°C). If the freezer is not at 0°F (-18°C), the ice cream will not set.
- Too much mixture was put in freezer bowl. Maximum fill is 12 oz. (360 ml).
- Ingredients are warm or at room temperature.
- The freezer bowl was left at room temperature for more than 5 minutes before use.
- The freezer door was opened and closed too many times during the freezing process.
- The freezer bowl has a thick coating of ice on the walls. After washing, dry completely prior to placing back in freezer.
- Mix-in ingredients, such as chocolate chips or chopped nuts, were added too soon. Wait until ice cream has churned for at least 15 minutes or until mixture is thick and has started to freeze before adding.
- The mix-in ingredients are too large, causing the paddle to jam. Chop nuts or other ingredients before adding.
- Too large a quantity of mix-in ingredients has been added. Add one cup or less of mix-in ingredients.
- Using metal utensils may scratch the surface of the freezer bowls, but this will not harm the unit. Plastic utensils are recommended when eating directly from the freezer bowls to extend the life of your unit.
- To order replacement bowls, call the customer service number located on the front cover of this Use and Care guide.
- Letting the ice cream sit in the freezer bowls for some time after churning will make the mixture very firm and difficult to scoop. Simply allow the churned mixture to sit for a few additional minutes and it will begin to soften again.
- A thin layer of ice cream on the sides of bowl is normal. Greater sticking tends to be present in lower-fat/lower-sugar recipes. When churning, place hand lightly on lid for the first few minutes to help these recipes begin to freeze.

# Recipes

**NOTE:** For an easy treat, try making “frozen yogurt.” Simply put one 6-oz. (180 ml) container of yogurt into a freezer bowl and follow instructions in “How to Make Ice Cream.”

## Vanilla Ice Cream Base (makes 24 ounces [720 ml])

2 cup (500 ml) half-and-half  
1 cup (250 ml) heavy cream  
1/2 cup (125 ml) sugar  
1 1/2 teaspoons (7.5 ml) vanilla extract

Combine ingredients in a 1-quart container with a tight-fitting lid. Shake until sugar is dissolved. Keep refrigerated.

Add-ins:

Fruit  
Candy  
Cookies  
Nuts

Place 6–12 ounces (180–360 ml) of ice cream base into freezer bowl. Turn motor ON (I). Once mixture starts to thicken, turn motor OFF (O), remove lid, and add 3 tablespoons of your favorite mix-in. Replace lid; then restart motor. Hold down lid until mixing paddle starts to rotate smoothly.

## Individual Recipes (6 ounces each)

### Chocolate Ice Cream

4 teaspoons (20 ml) unsweetened baking cocoa  
2 tablespoons (30 ml) sugar  
1/2 cup (125 ml) half-and-half  
1/4 teaspoon (1.25 ml) vanilla extract

Combine cocoa and sugar and stir to mix. Add a small amount of half-and-half and mix. Add remaining half-and-half and vanilla. Stir until well-mixed.

### Cappuccino Ice Cream

1 teaspoon (5 ml) instant coffee powder  
1/4 teaspoon (1.25 ml) unsweetened baking cocoa  
2 tablespoons (30 ml) sugar  
1/2 cup (125 ml) half-and-half

Combine all ingredients and stir for 30 seconds to dissolve sugar and coffee.

10

### Frozen Strawberry Yogurt

May use strawberry, blueberry, raspberry, or any combination.

1/3 cup (80 ml) berry yogurt  
2 tablespoons (30 ml) finely chopped or mashed strawberries  
2 tablespoons (30 ml) sugar  
3 tablespoons (45 ml) low-fat milk

Combine all ingredients and stir well to mix.

**NOTE:** Any other type of berries may be substituted for strawberries in this recipe.

### Pomegranate-Berry Sorbet

1/4 cup (60 ml) raspberries  
1/2 cup (125 ml) pomegranate juice  
2 tablespoons (30 ml) sugar

Mash berries. Combine with other ingredients and stir well to mix.

### Citrus Cooler Sorbet

2/3 cup (160 ml) orange juice  
Grated zest of 1/4 of a lemon  
2 tablespoons (30 ml) sugar

Combine all ingredients and stir well to mix.

Visit [www.hamiltonbeach.com](http://www.hamiltonbeach.com) for our complete line of products and Use and Care Guides – as well as delicious recipes, tips, and to register your product online!



## *Limited Warranty*

This warranty applies to products purchased in the U.S. and Canada. This is the only express warranty for this product and is in lieu of any other warranty or condition.

This product is warranted to be free from defects in material and workmanship for a period of one (1) year from the date of original purchase. During this period, your exclusive remedy is repair or replacement of this product or any component found to be defective, at our option; however, you are responsible for all costs associated with returning the product to us and our returning a product or component under this warranty to you. If the product or component is no longer available, we will replace with a similar one of equal or greater value.

This warranty does not cover glass, filters, wear from normal use, use not in conformity with the printed directions, or damage to the product resulting from accident, alteration, abuse, or misuse. This warranty extends only to the original consumer purchaser or gift recipient. Keep the original sales receipt, as proof of purchase is required to make a warranty claim. This warranty is void if the product is used for other than single-family household use.

We exclude all claims for special, incidental, and consequential damages caused by breach of express or implied warranty. All liability is limited to the amount of the purchase price. **Every implied warranty, including any statutory warranty or condition of merchantability or fitness for a particular purpose, is disclaimed except to the extent prohibited by law, in which case such warranty or condition is limited to the duration of this written warranty.** This warranty gives you specific legal rights. You may have other legal rights that vary depending on where you live. Some states or provinces do not allow limitations on implied warranties or special, incidental, or consequential damages, so the foregoing limitations may not apply to you.

To make a warranty claim, do not return this appliance to the store. Please call 1.800.851.8900 in the U.S. or 1.800.267.2826 in Canada or visit [hamiltonbeach.com](http://hamiltonbeach.com) in the U.S. or [hamiltonbeach.ca](http://hamiltonbeach.ca) in Canada. For faster service, locate the model, type, and series numbers on your appliance.

## IMPORTANTES CONSEILS DE SÉCURITÉ

Pour utiliser un appareil électroménager, vous devez toujours prendre des mesures élémentaires de sécurité pour réduire le risque d'incendie, d'électrocution et/ou de blessure corporelle, en particulier les mesures suivantes :

1. Lire toutes les instructions.
2. Vérifier la tension domestique et s'assurer de la conformité de cette dernière avec la plaque-signalétique de l'appareil.
3. Pour éviter les risques d'électrocution, ne pas immerger le bloc-moteur de l'appareil dans l'eau ou tout autre liquide.
4. L'utilisation de tout appareil par ou près des enfants requiert une surveillance accrue. Cet appareil n'est pas un jouet ou un produit destiné aux enfants. Cet appareil n'est pas conçu ou prévu pour l'utilisation par un enfant de moins de 12 ans.
5. Débrancher de la prise murale dès la fin de l'utilisation, avant d'installer ou de retirer des pièces et avant le nettoyage.
6. Éviter de toucher des pièces mobiles.
7. Ne pas faire fonctionner aucun appareil dont le cordon ou la fiche est endommagé ou suite à un dysfonctionnement de l'appareil, s'il est tombé ou endommagé de quelque manière que ce soit. Appelez la ligne sans frais du Service à la clientèle pour plus d'information à propos d'une vérification, réparation ou réglage électrique ou mécanique.
8. L'utilisation d'accessoires non recommandés par le fabricant ou vendus par le fabricant de l'appareil peut provoquer un incendie, une électrocution ou des blessures.
9. Ne pas utiliser à l'extérieur.
10. Ne pas laisser pendre le cordon de la table ou du comptoir et éviter tout contact entre le cordon et les surfaces chaudes.
11. Tenir les mains et les ustensiles hors du bol isotherme pendant le fonctionnement pour réduire les risques de blessures ou de dommages à l'appareil.
12. Ne pas placer sur ou près de surfaces chaudes comme un brûleur électrique ou à gaz. Ne pas utiliser cet appareil près d'un four, réchaud ou foyer.
13. Ne pas faire fonctionner à vide. Toujours verser un mélange dans le bol isotherme.
14. N'utiliser cet appareil que pour les fonctions auxquelles il est destiné.

## CONSERVEZ CES INSTRUCTIONS !

### AUTRE CONSIGNE DE SÉCURITÉ POUR LE CONSOMMATEUR

**Cet appareil électroménager est uniquement destiné à un usage domestique.**

**AVERTISSEMENT !** Risque d'électrocution : Cet appareil électroménager possède une fiche polarisée (une broche large) qui réduit le risque d'électrocution. Cette fiche n'entre que dans un seul sens dans une prise polarisée. Ne contrecarrez pas l'objectif sécuritaire de cette fiche en la modifiant de quelque manière que ce soit ou en utilisant un adaptateur. Si la fiche n'entre pas bien, retournez-la. Si elle continue à ne pas bien entrer, demandez à un électricien de remplacer la prise.

La longueur du cordon de cet appareil a été choisie de façon à ce que l'on ne risque pas de trébucher dessus. Si un cordon plus long est nécessaire, utiliser une rallonge appropriée. Le calibrage de la rallonge doit être le même que celui de l'appareil ou supérieur. Lorsqu'on utilise une rallonge, s'assurer qu'elle ne traverse pas la zone de travail, que des enfants ne puissent pas tirer dessus par inadvertance et qu'on ne puisse pas trébucher dessus.

## Pièces et caractéristiques

**AVANT LA PREMIÈRE UTILISATION :** Enlever toute la documentation et tous les matériaux d'emballage à l'intérieur de la sorbetière. Nettoyer le bol(s) isotherme, la palette et le couvercle avec de l'eau chaude savonneuse. Rincer entièrement et laisser sécher les pièces. **NE PAS** immerger le moteur dans l'eau. Pour le nettoyer, essuyer avec un linge humide.

Logement du moteur

Moteur interrupteur  
« MARCHE/ARRÊT »

Cordon

Couvercle

Palette

Bol(s) isotherme

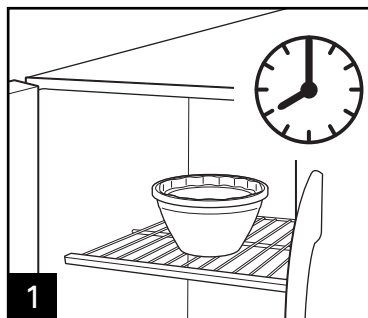
(REMARQUE : Le liquide contenu dans le bol isotherme est non-toxique)

Languettes de verrouillage

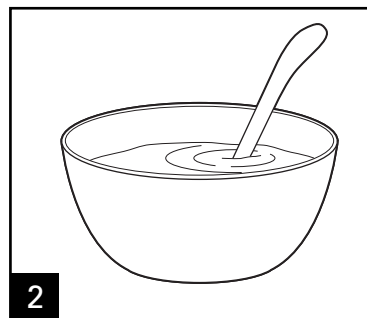
# Confection de crème glacée

## POUR DES RÉSULTATS OPTIMAUX :

- Avant le barattage, refroidir complètement le mélange de crème glacée au réfrigérateur et les bols isothermes au congélateur. Les bols isothermes doivent demeurer au congélateur pendant au moins 8 heures avant leur utilisation. La température du congélateur doit être réglée au plus froid et les bols doivent être placés contre la paroi arrière.
- Cet appareil produit **une crème glacée molle**—la consistance ne sera pas aussi ferme que la crème glacée commerciale.
- Une crème glacée qui n'est pas prête au bout de 15 minutes maximum signifie que les bols n'ont pas été congelés suffisamment longtemps OU que le congélateur n'est pas suffisamment froid. Voir la section Dépannage.
- Si l'on souhaite conserver la crème glacée restante dans le bol isotherme, simplement placer celui-ci dans un sac à fermeture à glissière grand format puis le replacer au congélateur.



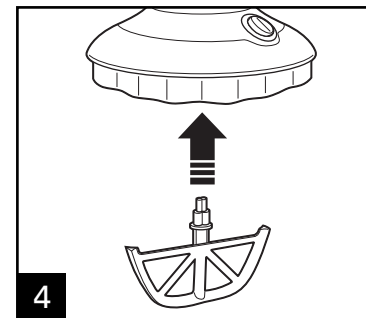
**1** Congeler entièrement les bols isothermes. **REMARQUE** : Le liquide contenu dans le bol isotherme est non-toxique.



**2** Préparer le mélange de crème glacée. **REMARQUE** : Utiliser une quantité de mélange de 180 à 360 ml (6 à 12 oz.). Ne pas utiliser plus de 360 ml (12 oz.).

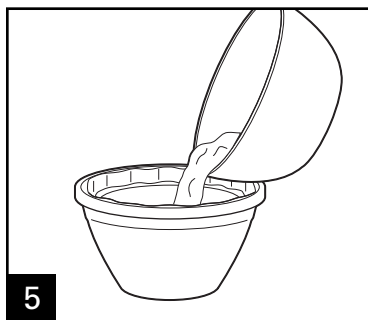


**3** Faire refroidir le mélange au réfrigérateur.

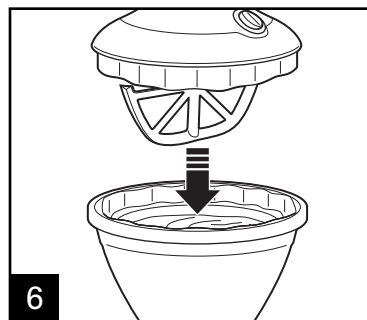


**4** Fixer la palette au bloc-moteur.

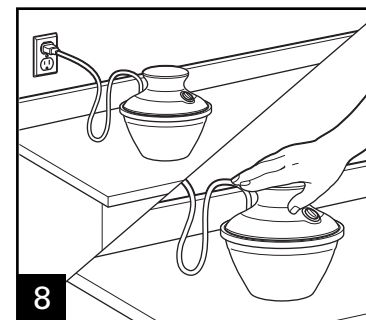
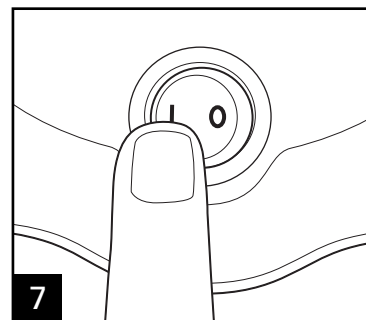
## Confection de crème glacée (suite)



Verser le mélange dans le bol isotherme. Ne pas utiliser plus de 360 ml (12 oz.) de mélange refroidi. Fabriquer la crème glacée un bol à la fois.



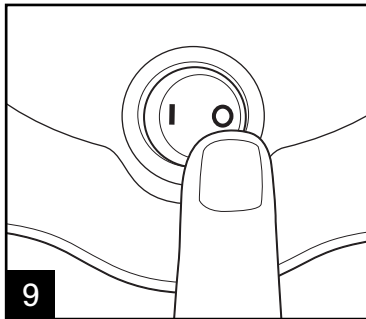
S'assurer que le couvercle avec le logement du moteur est fermement mis en place sur le bol isotherme. Brancher la fiche dans la prise. Appuyer sur la touche de mise en marche (I).  
**IMPORTANT** : Placer rapidement le couvercle sur le bol après avoir versé les ingrédients dans le bol, quelques secondes après si possible. Ceci donnera de meilleurs résultats.



Laisser la palette baratter le mélange pendant environ 5 à 15 minutes. Si besoin, appuyer légèrement sur le couvercle pendant les premières minutes du barattage. Ceci peut être nécessaire de temps en temps pour les recettes à faible teneur en sucre/matières grasses.

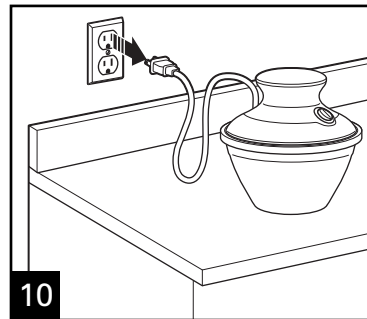
**REMARQUE** : Appuyer trop fort inverse le sens de fonctionnement de la palette en va-et-vient.

## Confection de crème glacée (suite)



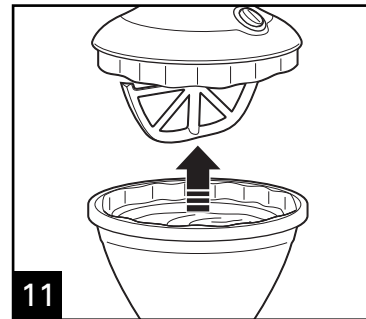
9

La crème glacée est prête lorsqu'elle semble molle. Une fine couche de crème glacée peut adhérer à l'extérieur du bol, c'est normal. Mettre hors tension (O), puis laisser reposer avec le couvercle/ la palette encore en place pendant environ 2 minutes, en laissant la crème glacée congeler davantage.



10

L'appareil ne s'éteint pas automatiquement. Appuyer sur la touche OFF (O) pour arrêter le barattage. Débrancher l'appareil de la prise de courant.



11

Enlever le couvercle. Le mélange congelé peut être mangé directement depuis le bol isotherme. Pour éviter de rayer les surfaces, l'utilisation d'ustensiles en plastique est recommandée lorsque l'on mange directement depuis les bols isothermes.

### POUR PRÉPARER :

180 ml (6 onces)

360 ml (12 onces)

### BARATTER ENVIRON :

5 à 6 minutes

8 à 9 minutes

Une fois l'appareil éteint, laisser reposer avec la palette et le couvercle toujours fixés pendant environ 2 minutes (voir l'Étape 10).

**REMARQUE :** Si le mélange de crème glacée est trop épais, ou est resté trop longtemps dans le bol isotherme avant le barattage, la palette peut patiner ou changer de sens de fonctionnement. Mettre l'appareil hors tension, séparer le mélange dans le bol à la cuiller, remettre la palette en place et remettre l'appareil sous tension.



## *Conseils pour des résultats optimaux*

- L'appareil fonctionnera jusqu'à ce qu'il soit éteint. Voir le guide de dépannage si la durée de confection de la crème glacée est supérieure à 15 minutes.
- Ajouter des pépites de chocolat ou des noix hachées après un barattage d'au moins 5 minutes ou jusqu'à épaississement du mélange et le début de la congélation. S'assurer que la palette est complètement appuyée au fond du bol isotherme au moment de replacer le couvercle (après ajout des ingrédients). La palette doit continuer de racler le bol isotherme et ne pas se trouver sur le dessus des ingrédients.
- Le produit fini produira une crème glacée molle et épaisse. La crème glacée maison ne possède pas les caractéristiques de fermeté de la crème glacée commerciale.
- Une crème glacée fraîche a bien meilleur goût. Le mélange perdra de sa fraîcheur après plusieurs jours au congélateur.
- L'utilisation d'ustensiles métalliques peut rayer la surface des bols isothermes, mais non l'appareil. Les ustensiles en plastique sont recommandés si l'on mange directement depuis les bols et ce, afin de prolonger la durée de vie de l'appareil.
- Placer la main sur le couvercle et appuyer légèrement aide le barattage et évite l'adhésion de crème glacée sur les parois du bol. Une fine couche de crème glacée peut toujours adhérer à l'extérieur du bol, c'est normal.
- Le stockage continu du bol(s) isotherme au congélateur permettra la confection ultérieure de crème glacée en tout temps.
- Pour des résultats optimaux, le bol isotherme doit être entièrement congelé. S'assurer de régler le thermostat du congélateur à la température la plus froide (la température ne devrait pas être supérieure à -18 °C [0 °F]).
- La fermeté de la crème glacée varie selon la recette utilisée, la température de la pièce et la température des ingrédients avant le barattage.
- Quelques recettes nécessitent un mélange précuit. Préparer le mélange au moins 1 journée à l'avance. Ceci permettra le refroidissement complet du mélange et son gonflement. Un refroidissement inadéquat du mélange nuira à la congélation.
- Stocker le bol isotherme au congélateur jusqu'à son utilisation.
- Ne pas perforer ou chauffer le bol isotherme.

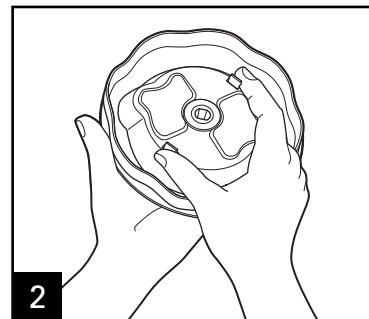
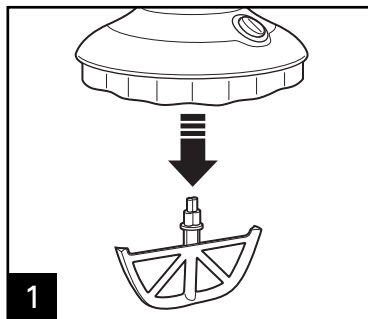
# Nettoyage

**⚠ AVERTISSEMENT**

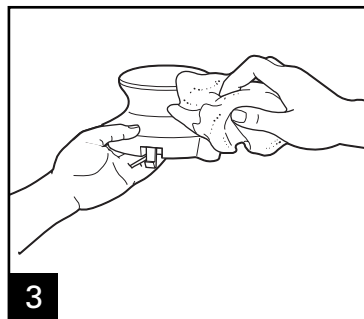
**Risque d'électrocution.**

Débrancher l'appareil avant le nettoyage.

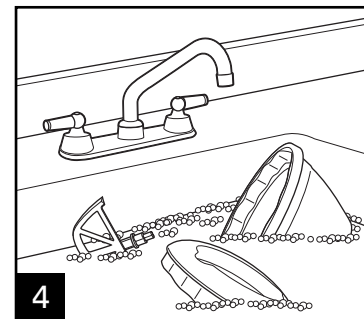
Ne pas immerger le moteur ou le cordon dans aucun liquide.



Presser les languettes de verrouillage et retirer le moteur du couvercle.



Essuyer le moteur avec un linge humide. Ne pas immerger dans l'eau ou tout autre liquide.



Laver le couvercle, la palette et le bol isotherme dans l'évier. Le couvercle et la palette sont lavables dans le panier supérieur du lave-vaisselle.

# Dépannage

## PROBLÈME

La crème glacée n'est pas assez ferme ou le barattage se poursuit après 15 minutes.

La sorbetière interrompt le cycle de barattage avant que la crème glacée ne soit prête.

Surface de bol rayée.

Crème glacée trop ferme.

Couche épaisse de crème glacée collant aux parois des bols.

## CAUSE POSSIBLE

- Le bol isotherme n'a pas été suffisamment longtemps au congélateur (au moins 8 heures ou toute la nuit pour des résultats optimaux).
- La température du congélateur est trop élevée. La congélation de la crème glacée s'effectue à une température de -12 ° à -10 °C (10 ° à 14 °F). La formation de la crème glacée ne peut se produire si la température du congélateur n'est pas à -18 °C (0 °F).
- Trop grande quantité de mélange dans le bol isotherme. Remplissage maximal : 360 ml (12 oz.).
- Ingrédients chauds ou à la température de la pièce.
- Le bol isotherme a été exposé à la température de la pièce plus de 5 minutes avant son utilisation.
- Ouvertures et fermetures de porte du congélateur trop fréquentes pendant le processus de congélation.
- Une importante couche de glace recouvre les parois du bol isotherme. Après le nettoyage, assécher complètement avant de remettre au congélateur.
- Les ingrédients comme les pépites de chocolat ou les noix hachées ont été ajoutés prématurément. Attendre 15 minutes après le début du barattage de la crème glacée ou jusqu'à épaississement du mélange et le début de la congélation avant d'ajouter d'autres ingrédients.
- Le coincement de la palette est provoqué par l'ajout d'ingrédients trop gros. Hacher les noix et autres ingrédients avant de les ajouter.
- Ajout d'une trop grande quantité d'ingrédients. Ajouter une tasse ou moins d'ingrédients.
- L'utilisation d'ustensiles métalliques peut rayer la surface des bols isothermes, mais non l'appareil. Les ustensiles en plastique sont recommandés si l'on mange directement dans les bols isothermes et ce, afin de prolonger la durée de vie de l'appareil.
- Pour commander des bols de rechange, composer le numéro du service à la clientèle situé sur la page de couverture de ce Mode d'emploi et d'entretien.
- Laisser la crème glacée reposer dans les bols isothermes pendant une certaine période après le barattage rendra le mélange très ferme et difficile à extraire à la cuillère. Il faut simplement laisser ramollir le mélange baratté quelques minutes de plus.
- La présence d'une fine couche de crème glacée sur les parois du bol est normale. L'adhésion est généralement plus importante pour les recettes à faible teneur en sucre/matières grasses. Pendant le barattage, placer légèrement la main sur le couvercle pendant quelques minutes pour aider ces recettes à commencer à congeler.

## Recettes

**NOTE :** Pour un régal instantané, essayer le yogourt « glacé ». Mettre simplement un contenant de 180 ml (6 oz.) de yogourt dans un bol isotherme et suivre les instructions de la section « Confection de crème glacée ».

### Base pour crème glacée à la vanille (produit 720 ml [24 onces])

500 ml (2 tasses) de crème simple  
250 ml (1 tasse) de crème riche en matière grasse  
125 ml (1/2 tasse) de sucre  
7,5 ml (1 1/2 c. à café) d'extrait de vanille

Combiner les ingrédients dans un récipient de 1 litre avec couvercle hermétique. Secouer jusqu'à dissolution complète du sucre. Garder réfrigéré.

Ingrédients :

Fruit, bonbon, biscuits, noix

Verser 180 à 360 ml (6 à 12 oz.) de base pour crème glacée dans le bol isotherme. Mettre le moteur en marche (ON/I). Dès que le mélange commence à épaissir, éteindre le moteur (OFF/O), retirer le couvercle et ajouter 45 ml (3 c. à soupe) d'ingrédients préférés. Refermer le couvercle puis remettre le moteur en marche. Maintenir le couvercle fermé jusqu'à ce que la palette tourne doucement.

### Recettes individuelles (portion de 180 ml [6 oz.] ch.)

#### Crème glacée au chocolat

20 ml (4 c. à café) de cacao  
30 ml (2 c. à soupe) de sucre  
1/2 tasse (125 ml) de crème simple  
1,25 ml (1/4 c. à café) d'extrait de vanille

Combiner le cacao et le sucre puis mélanger. Ajouter une petite quantité de crème simple au mélange. Ajouter le reste de crème simple et la vanille. Bien mélanger le tout.

#### Crème glacée cappuccino

5 ml (1 c. à café) de café en poudre  
1,25 (1/4 c. à café) de cacao  
30 ml (2 c. à soupe) de sucre  
1/2 tasse (125 ml) de crème simple

Combiner tous les ingrédients et mélanger pendant 30 secondes pour dissoudre le sucre et le café en poudre.

### Yogourt glacé à la fraise

Utiliser des fraises, bleuets, framboises ou toute autre combinaison.

80 ml (1/3 de tasse) de yogourt aux baies  
30 ml (2 c. à soupe) de fraises en purée ou hachées  
30 ml (2 c. à soupe) de sucre  
45 ml (3 c. à soupe) de lait à faible teneur en matière grasse

Combiner tous les ingrédients et bien mélanger le tout.

**REMARQUE :** Tout autre type de petit fruit peut être substitué aux fraises dans cette recette.

### Sorbet à la grenade et aux baies

60 ml (1/4 de tasse) de framboises  
125 ml (1/2 tasse) de jus de grenade  
30 ml (2 c. à soupe) de sucre

Baies broyées. Combiner tous les ingrédients et bien mélanger le tout.

### Sorbet panaché aux agrumes

160 ml (2/3 de tasse) de jus d'orange  
Zeste de 1/4 de citron  
30 ml (2 c. à soupe) de sucre

Combiner tous les ingrédients et bien mélanger le tout.

Rendez-vous sur [www.hamiltonbeach.ca](http://www.hamiltonbeach.ca) pour notre liste complète de produits et de nos manuels utilisateur – ainsi que nos délicieuses recettes, nos conseils et pour enregistrer votre produit en ligne !



## Garantie limitée

Cette garantie s'applique aux produits achetés aux É.-U. et au Canada. C'est la seule garantie expresse pour ce produit et est en lieu et place de tout autre garantie ou condition.

Ce produit est garanti contre tout défaut de matériaux et de main-d'oeuvre pour une période de un (1) an à compter de la date d'achat d'origine. Au cours de cette période, votre seul recours est la réparation ou le remplacement de ce produit ou tout composant s'avérant défectueux, à notre gré, mais vous êtes responsable de tous les coûts liés à l'expédition du produit et le retour d'un produit ou d'un composant dans le cadre de cette garantie. Si le produit ou un composant n'est plus offert, nous le remplacerons par un produit similaire de valeur égale ou supérieure.

Cette garantie ne couvre pas le verre, les filtres, l'usure d'un usage normal, l'utilisation non conforme aux directives imprimées, ou des dommages au produit résultant d'un accident, modification, utilisation abusive ou incorrecte. Cette garantie s'applique seulement à l'acheteur original ou à la personne l'ayant reçu en cadeau. La présentation du reçu de vente d'origine comme preuve d'achat est nécessaire pour faire une réclamation au titre de cette garantie. Cette garantie ne s'applique pas si le produit est utilisé à d'autres fins qu'une utilisation domiciliaire familiale.

Nous excluons toutes les réclamations au titre de cette garantie pour les dommages spéciaux, consécutifs et indirects causés par la violation de garantie expresse ou implicite. Toute responsabilité est limitée au prix d'achat. **Chaque garantie implicite, y compris toute garantie ou condition de qualité marchande ou d'adéquation à un usage particulier, est exonérée, sauf dans la mesure interdite par la loi, auquel cas la garantie ou condition est limitée à la durée de cette garantie écrite.** Cette garantie vous donne des droits légaux précis. Vous pouvez avoir d'autres droits qui varient selon l'endroit où vous habitez. Certaines provinces ne permettent pas les limitations sur les garanties implicites ou les dommages spéciaux ou indirects de telle sorte que les limitations ci-dessus ne s'appliquent peut-être pas à votre cas.

Ne pas retourner cet appareil au magasin lors d'une réclamation au titre de cette garantie. Téléphoner au 1.800.851.8900 aux É.-U. ou au 1.800.267.2826 au Canada ou visiter le site internet [www.hamiltonbeach.com](http://www.hamiltonbeach.com) aux É.-U. ou [www.hamiltonbeach.ca](http://www.hamiltonbeach.ca) au Canada. Pour un service plus rapide, trouvez le numéro de modèle, le type d'appareil et les numéros de série sur votre appareil.

## SALVAGUARDIAS IMPORTANTES

Cuando utilice aparatos eléctricos, siempre deben seguirse precauciones de seguridad básicas a fin de reducir el riesgo de incendio, descarga eléctrica, y/o lesiones a personas, incluyendo las siguientes:

1. Lea todas las instrucciones.
2. Verifique que el voltaje de su instalación corresponda con el del aparato.
3. Para protegerse contra un riesgo de descarga eléctrica, no ponga el ensamble del motor del aparato en agua ni otro líquido.
4. Se requiere de una estrecha supervisión cuando cualquier aparato esté siendo usado por o cerca de niños. Este no es un juguete o un producto para niños. Este producto no está diseñado ni tiene el propósito para ser usado por niños de 12 o menos años de edad.
5. Desconecte de la toma cuando no esté en uso, antes de poner o quitar partes y antes de limpiar.
6. Evite el contacto con partes móviles.
7. No opere ningún aparato que tenga un cable o enchufe dañado o después de un mal funcionamiento del aparato, o si se cayó o dañó en cualquier manera. Llame a nuestro número de servicio al cliente lada sin costo para información sobre revisión, reparación o ajuste eléctrico o mecánico.
8. El uso de aditamentos no recomendados o vendidos por el fabricante del aparato puede causar fuego, descarga eléctrica o lesiones.
9. No se use en exteriores.
10. No deje que el cable cuelgue del borde de la mesa o barra o que toque superficies calientes.
11. Mantenga manos y utensilios fuera del tazón congelador mientras que esté en uso para reducir el riesgo de lesión a personas o al aparato mismo.
12. No coloque sobre o cerca de superficies calientes tales como quemadores calientes de gas o eléctricos. No use esta unidad cerca de la estufa, calentador o chimenea.
13. No opere en seco. Siempre tenga la mezcla en el tazón congelador.
14. No use el aparato con otro propósito que no sea para el que fue hecho.

## ¡GUARDE ESTAS INSTRUCCIONES!

### OTRA INFORMACIÓN DE SEGURIDAD PARA EL CONSUMIDOR

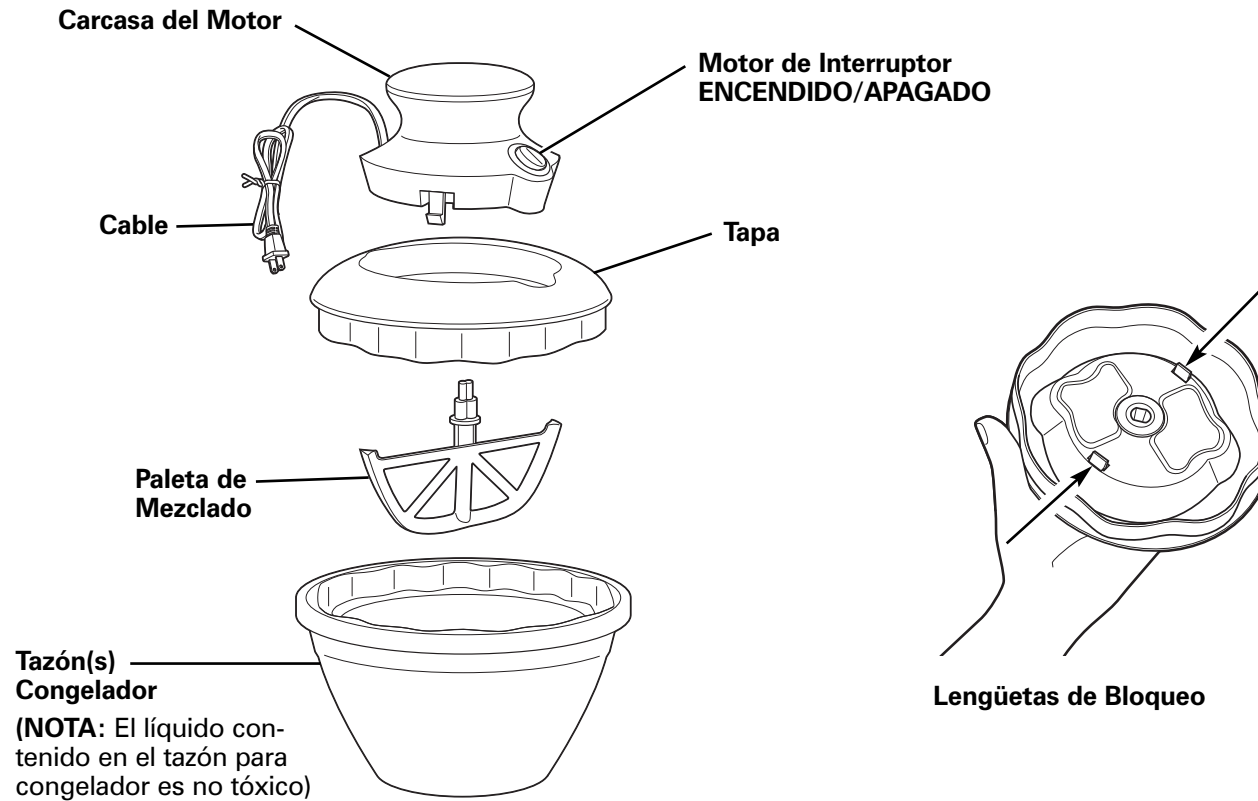
**Este aparato ha sido diseñado solamente para uso doméstico.**

**¡ADVERTENCIA!** Peligro de descarga: Este aparato cuenta con un enchufe polarizado (una pata más ancha) que reduce el riesgo de una descarga eléctrica. El enchufe embona únicamente en una dirección dentro de un tomacorriente polarizado. No trate de obviar el propósito de seguridad del enchufe modificándolo de alguna manera o utilizando un adaptador. Si el enchufe no embona, inviértalo. Si aún así no embona, llame a un electricista para que reemplace el tomacorriente.

El largo del cable que se utiliza con este artefacto se eligió para reducir el riesgo de enredarse o tropezarse con un cable más largo. Si es necesario un cable más largo, deberá utilizarse un cable de extensión aprobado. La clasificación eléctrica nominal del cable de extensión deberá ser igual o mayor que la de la licuadora. Se debe tener cuidado en acomodar el cable de extensión de manera que no cuelgue por el borde de la mesa o mostrador y que los niños no puedan tirar de él o tropezarse accidentalmente.

## Partes y Características

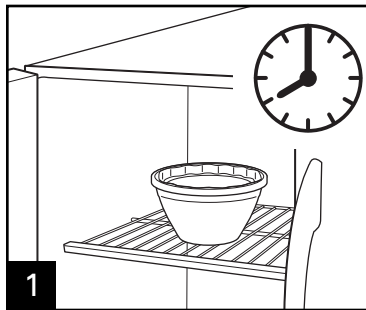
**ANTES DE USAR POR PRIMERA VEZ:** Remueva toda la literatura y material del empaque del interior de la máquina de hacer helados. Limpie el tazón(s) congelador, paleta de mezclado y tapa en agua jabonosa caliente. Enjuague a fondo y seque todas las partes. **NO** sumerja el motor en agua. Para limpiarlo, use un trapo húmedo.



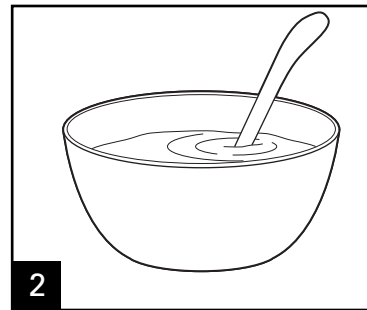
# Como Hacer Helado

## PARA MEJORES RESULTADOS:

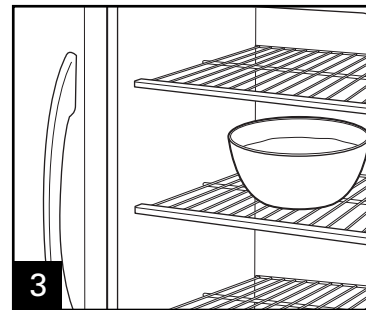
- Antes de la preparación, congele totalmente la mezcla de helado en el refrigerador y el recipiente(s) para freezer en el freezer. Los tazones para congelador deben permanecer en el congelador por al menos 8 horas antes de su uso. La temperatura del congelador debe ajustarse en lo más frío y los tazones deben colocarse hacia el fondo.
- Esta unidad produce **helado en crema**—la consistencia no será igual de dura a la comprada en heladerías.
- Si el helado no se prepara luego de hacer funcionar la unidad durante un máximo de 15 minutos, los recipientes no estarán lo suficientemente congelados o su freezer no estará lo suficientemente frío. Consulte la sección de Resolviendo Problemas.
- Si desea guardar restos de helado en el recipiente del freezer, simplemente coloque el mismo dentro de una bolsa plástica con cierre de tamaño grande y vuelva a guardar el helado en el freezer.



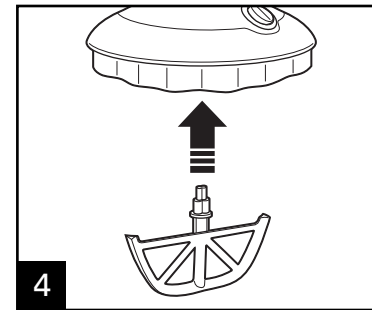
**1** Deje que el(los) tazón(es) para congelador se congelen completamente. **NOTA:** El líquido contenido en el tazón para congelador es no tóxico.



**2** Prepare la mezcla de la nieve. **NOTA:** Use entre 6 a 12 onzas (180 a 360 ml) de mezcla. No se exceda de 12 onzas (360 ml).



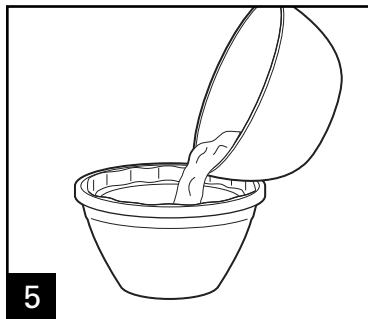
**3** Enfríe la mezcla en el refrigerador.



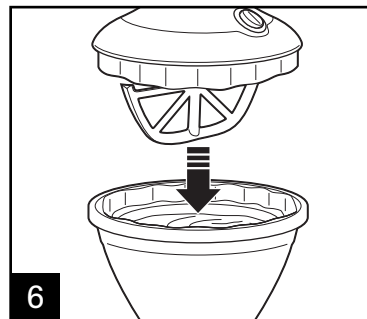
**4** Inserte la paleta mezcladora en el ensamble del motor.



## Como Hacer Helado (cont.)

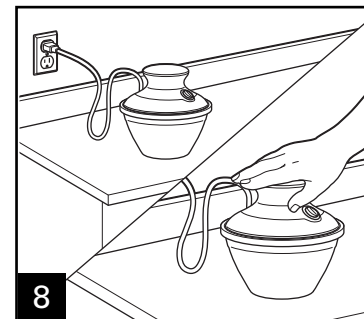
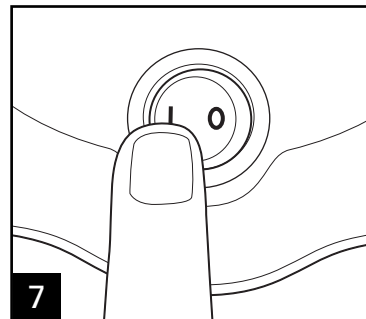


Vacíe la mezcla refrigerada en el tazón para congelador. No exceda de 12 onzas (360 ml) de mezcla enfriada. Haga un recipiente de helado por vez.



Asegúrese de que la tapa con el ensamble del motor esté colocada de manera segura en el tazón para congelador. Conecte en una toma. Presione el interruptor a ENCENDIDO (I).

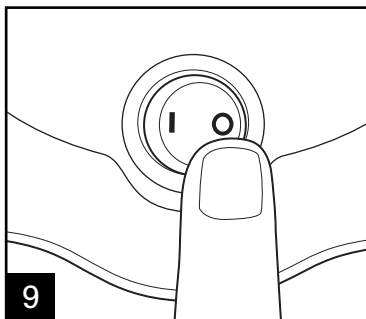
**IMPORTANTE:** Coloque la tapa sobre el tazón rápidamente luego de verter los ingredientes en el tazón; dentro de unos pocos segundos si es posible. Esto producirá mejores resultados.



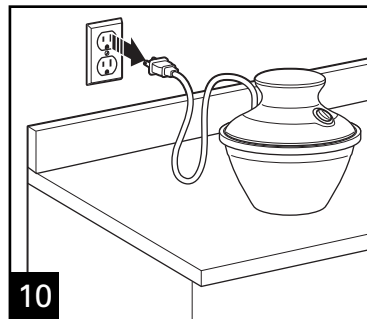
Deje que la paleta revuelva la mezcla durante entre 5 y 15 minutos aproximadamente. De ser necesario, presione suavemente la tapa durante los primeros minutos mientras se revuelve. Esto puede ser necesario de tanto en tanto con recetas bajas en grasas/bajas en azúcar.

**NOTA:** Si se presiona con demasiada fuerza, esto hará que la paleta cambie de dirección hacia atrás y adelante.

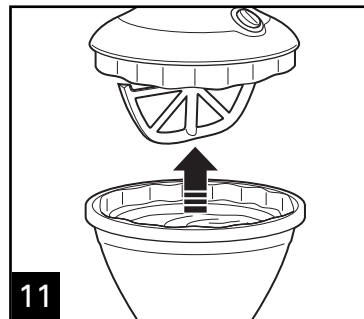
## Como Hacer Helado (cont.)



**9** El helado estará hecho cuando se vea "cremoso". Una capa fina de helado se podrá adherir a la parte exterior del tazón; esto es normal. Presione APAGADO (O); luego deje reposar con la paleta de mezclador/ tapa aún colocadas por unos 2 minutos, permitiendo que el helado se siga congelando.



**10** La unidad no estará en APAGADO de forma automática. Se deberá presionar el interruptor en la posición APAGADO (O) para que deje de revolver. Desconecte de la toma.



**11** Remueva la tapa. La mezcla congelada puede comerse directamente del tazón para congelador. Para evitar ralladuras sobre la superficie, se recomienda el uso de utensilios de plástico al comer directamente de recipientes congelados.

### PARA PREPARAR:

6 onzas (180 ml)

12 onzas (360 ml)

### PREPARE APROXIMADAMENTE:

5 a 6 minutos

8 a 9 minutos

Luego de apagar la unidad, deje reposar con el utensilio para mezclar y la tapa aún colocada por aproximadamente 2 minutos (consulte el Paso 10).

**NOTA:** Si la mezcla de helado es demasiado espesa, o se deja en el tazón para congelador demasiado tiempo antes de revolver, es posible que la paleta se mueva con dificultad y/o cambie de dirección. Presione APAGADO (O) para apagar la unidad, separe la mezcla en el tazón con una cuchara, reemplace la paleta, y vuelva a presionar ENCENDIDO (I).

## *Consejos para Mejores Resultados*

- La máquina funcionará hasta que se apague. Vea Resolviendo Problemas si su unidad no hizo helado en 15 minutos.
- Agregue los complementos, tales como chispas de chocolate, o nueces cortadas, después de batida la nieve por al menos 5 minutos o hasta que la mezcla esté espesa y haya comenzado a congelarse. Asegúrese que la paleta de mezclado esté firmemente presionada hacia el fondo del tazón para congelador cuando vuelva a colocar la tapa (después de incorporar los agregados). La paleta de mezclado debe continuar tallando el tazón para congelador y no asentarse sobre los ingredientes agregados.
- El resultado final es un helado suave y manejable con cuchara. El helado hecho en casa no tendrá la misma consistencia que el helado duro comprado en tienda.
- El helado sabe mejor cuando es fresco. Comenzará a perder su sabor fresco después de varios días en el congelador.
- Si se usan utensilios metálicos, se podrá rayar la superficie de los recipientes del freezer, pero esto no dañará la unidad. Se recomiendan utensilios de plástico al comer directamente de los recipientes del freezer para extender la vida útil de la unidad.
- Colocar la mano y presionar suavemente ayudará a revolver y evitará que gran cantidad de helado se adhiera a los costados del tazón. Una capa fina de helado siempre se adherirá a la parte exterior del tazón; esto es normal.
- Mantenga el tazón(s) congelador en el congelador de manera que pueda hacer helado en cualquier momento.
- Para mejores resultados, el tazón congelador debe estar completamente congelado. Asegúrese de ajustar la temperatura del congelador a lo más frío (la temperatura no debe ser mayor a 0°F [-18°C]).
- La firmeza del helado depende en variables tales como la receta usada, la temperatura de la habitación y la temperatura de los ingredientes antes de batir.
- Algunas recetas requieren que la mezcla sea precocida. Haga la receta al menos un día antes. Esto permitirá que la mezcla se enfríe completamente y aumente el volumen. La mezcla base puede no congelarse si no es enfriada completamente.
- No remueva el tazón congelador del congelador hasta que esté listo para usarse.
- No perforo o caliente el tazón congelador.

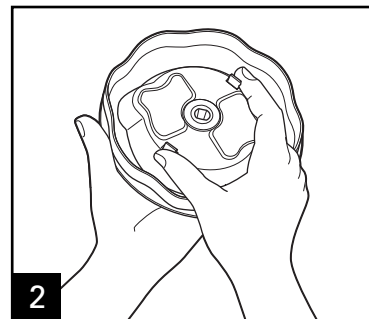
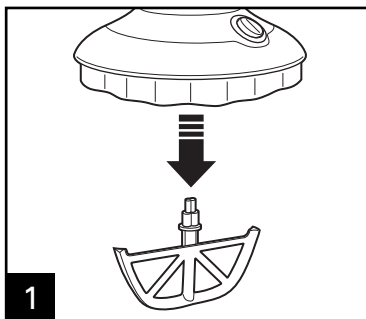
# Limpieza

**⚠ ADVERTENCIA**

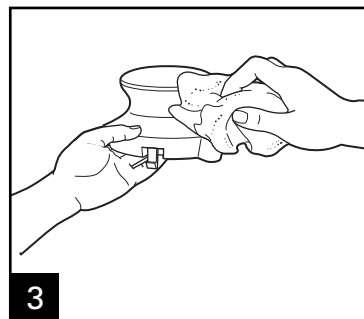
**Peligro de Descarga Eléctrica.**

Desconecte la energía antes de limpiar.

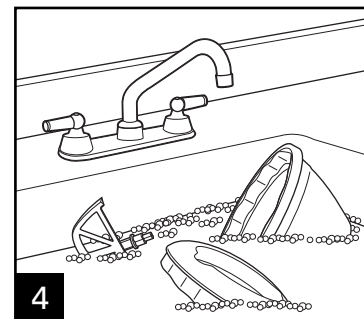
No sumerja el ensamble del motor o el cable en ningún líquido.



Apriete las lengüetas de bloqueo y remueva el motor de la tapa.



Limpie el motor con un trapo húmedo. No sumerja en agua ni otros líquidos.



Lave la tapa, paleta de mezclado y tazón congelador en el lavadero. La tapa y la paleta de mezclado pueden colocarse en el estante superior del lavavajillas.

# Resolviendo Problemas

## PROBLEMA

El helado no es lo suficientemente firme o la máquina sigue funcionando después de 15 minutos.

La máquina para hacer nieve deja de batir antes de que la nieve esté lista.

Superficie del recipiente(s) rayada.

Helado demasiado firme.

Capa gruesa de helado que se adhiere a los lados del recipiente(s).

## PROBABLE CAUSE

- El tazón para congelador no estuvo lo suficiente en el congelador (para mejores resultados, por lo menos 8 horas o preferentemente toda la noche).
- El congelador no está lo suficientemente frío. El helado se endurece a los 10° a 14°F (-12° a -10°C). Si el congelador no está a 0°F (-18°C) el helado no se endurecerá.
- Se puso mucha mezcla en el tazón congelador. El llenado máximo es de 12 onzas (360 ml).
- Los ingredientes estaban calientes o a temperatura de habitación.
- El tazón congelador se dejó a temperatura de habitación por más de 5 minutos antes de usarse.
- Se abrió y se cerró la puerta del congelador demasiadas veces durante el proceso de congelado del tazón congelador.
- El tazón congelador tiene una capa gruesa de hielo en las paredes. Después de lavar, seque completamente antes de colocarlo de nuevo en el congelador.

- Los ingredientes de complemento tales como las chispas de chocolate o nueces cortadas se agregaron muy pronto. Espere a que la nieve se haya batido por al menos 15 minutos o hasta que la mezcla esté espesa y haya comenzado a congelarse antes de agregarlos.
- Los ingredientes de complemento son demasiado grandes causando que la paleta se atore. Parta las nueces u otros ingredientes antes de agregarlos.
- Se ha agregado una cantidad de ingredientes de complemento muy grande. Agregue una taza o menos de ingredientes de complemento.

- El uso de utensilios de metal podrá rayar la superficie de los recipientes del freezer, pero esto no dañará la unidad. Se recomienda el uso de utensilios de plástico al comer directamente de los recipientes del freezer, a fin de extender la vida útil de la unidad.
- Para ordenar la compra de recipientes, llame al número de servicio al cliente ubicado en la tapa de esta guía de Uso y Cuidado.

- Dejar que el helado repose en los recipientes del freezer por cierto tiempo luego de la preparación hará que la mezcla quede muy firme y que sea difícil dar cucharadas. Simplemente permita que la mezcla preparada se asiente por algunos minutos adicionales y la misma se comenzará a ablandar nuevamente.

- Es normal que haya una capa fina de helado a ambos lados del recipiente. Puede haber mayor adherencia con recetas bajas en grasa/bajas en azúcar. Al revolver, coloque la mano suavemente sobre la tapa durante los primeros minutos para ayudar a que estas recetas comiencen a congelarse.

## Recetas

**NOTA:** Para hacer una delicia en forma fácil, intente hacer "yogurt congelado". Simplemente coloque un envase de yogurt de 6 oz. (180 ml) en un recipiente para freezer y siga las instrucciones sobre "Cómo Hacer Helado".

### Base para Nieve de Vainilla (prepara 24 onzas [720 ml])

2 tazas (500 ml) media crema  
1 taza (250 ml) crema espesa  
1/2 taza (125 ml) de azúcar  
1 1/2 cucharaditas (7.5 ml) de extracto de vainilla

Combine los ingredientes en un contenedor de 1 cuarto (1 L) con una tapa que ajuste bien. Agite hasta que el azúcar se disuelva. Mantenga refrigerado.

Agregados:

Fruta, Dulces, Galletas, Nueces

Coloque 6 a 12 onzas (180 a 360 ml) de base para nieve en el tazón del congelador. ENCIENDA (I) el motor. Una vez que comience a espesar la mezcla, APAGUE (O) el motor, remueva la tapa, y agregue 3 cucharadas de su agregado favorito. Vuelva a colocar la tapa; luego reinicie el motor. Mantenga la tapa hasta que la paleta de mezclado comience a girar suavemente.

### Recetas Individuales (6 onzas [180 ml] cada una)

#### Nieve de Chocolate

4 cucharaditas (20 ml) de cacao sin endulzar  
2 cucharadas (30 ml) de azúcar  
1/2 tazas (125 ml) de media crema  
1/4 cucharadita (1.25 ml) de extracto de vainilla

Combine la cacao y azúcar y menee para mezclar. Agregue una pequeña cantidad de media crema y mezcla. Agregue la media crema restante y vainilla. Menee hasta que se mezcle bien.

#### Nieve Capuchino

1 cucharadita (5 ml) de café instantáneo  
1/4 cucharadita (1.25 ml) de cacao sin endulzar  
2 cucharadas (30 ml) de azúcar  
1/2 tazas (125 ml) de media crema

Combine todos los ingredientes y menee por 30 segundos para disolver el azúcar y el café.

### Yogur de Frutilla Congelado

Puede usar fresas, arándano, frambuesas o cualquier combinación.

1/3 de taza (80 ml) de yogurt de bayas  
2 cucharadas (30 ml) de frutillas cortadas bien finas o pisadas  
2 cucharadas (30 ml) de azúcar  
3 cucharadas (45 ml) de leche baja en grasa

Combine todos los ingredientes y menee bien para mezclar.

**NOTA:** Cualquier otro tipo de bayas podrán ser sustituidas por frutillas en esta receta.

### Sorbete Granadas-Bayas

1/4 taza (60 ml) de frambuesas  
1/2 taza (125 ml) de jugo de granada  
2 cucharadas (30 ml) de azúcar

Machaque las bayas. Combine con los otros ingredientes y menee bien para mezclar.

### Sorbete Citrus Cooler

2/3 taza (160 ml) de jugo de naranja  
Corteza rayada de 1/4 de limón  
2 cucharadas (30 ml) de azúcar

Combine todos los ingredientes y menee bien para mezclar.

¡Visite [www.hamiltonbeach.com.mx](http://www.hamiltonbeach.com.mx) para obtener nuestra línea completa de productos y las Guías de Uso y Cuidado, además de deliciosas recetas, consejos y para registrar su producto en línea!



# Hamilton Beach®

Grupo HB PS, S.A. de C.V.  
 Monte Elbruz No. 124 Int. 601  
 Col. Palmitas Polanco  
 México, D.F. C.P. 11560  
 01-800-71-16-100

## PÓLIZA DE GARANTÍA

PRODUCTO:	MARCA:	MODELO:
<p>Grupo HB PS, S.A. de C.V. cuenta con una Red de Centros de Servicio Autorizada, por favor consulte en la lista anexa el nombre y dirección de los establecimientos en la República Mexicana en donde usted podrá hacer efectiva la garantía, obtener partes, componentes, consumibles y accesorios; así como también obtener servicio para productos fuera de garantía. Para mayor información llame sin costo: <b>Centro de Atención al consumidor: 01 800 71 16 100</b></p>		
<p>Grupo HB PS, S.A. de C.V. le otorga a partir de la fecha de compra:  <b>GARANTÍA DE 1 AÑO.</b></p>		
<b>COBERTURA</b>		
<ul style="list-style-type: none"> <li>• Esta garantía ampara, todas las piezas y componentes del producto que resulten con defecto de fabricación incluyendo la mano de obra.</li> <li>• Grupo HB PS, S.A. de C.V. se obliga a reemplazar, reparar o reponer, cualquier pieza o componente defectuoso; proporcionar la mano de obra necesaria para su diagnóstico y reparación, todo lo anterior sin costo adicional para el consumidor.</li> <li>• Esta garantía incluye los gastos de transportación del producto que deriven de su cumplimiento dentro de su red de servicio.</li> </ul>		
<b>LIMITACIONES</b>		
<ul style="list-style-type: none"> <li>• Esta garantía no ampara el reemplazo de piezas deterioradas por uso o por desgaste normal, como son: cuchillas, vasos, jarras, filtros, etc.</li> <li>• Grupo HB PS, S.A. de C.V. no se hace responsable por los accidentes producidos a consecuencia de una instalación eléctrica defectuosa, ausencia de toma de tierra, clavija de enchufe en mal estado, etc.</li> </ul>		
<b>EXCEPCIONES</b>		
<p>Esta garantía no será efectiva en los siguientes casos:</p> <ol style="list-style-type: none"> <li>a) Cuando el producto se hubiese utilizado en condiciones distintas a las normales. (Uso industrial, semi-industrial o comercial.)</li> <li>b) Cuando el producto no hubiese sido operado de acuerdo con el instructivo de uso.</li> <li>c) Cuando el producto hubiese sido alterado o reparado por personas no autorizadas por Grupo HB PS, S.A. de C.V. el fabricante nacional, importador o comercializador responsable respectivo.</li> </ol> <p>El consumidor puede solicitar que se haga efectiva la garantía ante la propia casa comercial donde adquirió su producto, siempre y cuando Grupo HB PS, S.A. de C.V. no cuente con talleres de servicio.</p>		

**PROCEDIMIENTO PARA HACER EFECTIVA LA GARANTÍA**

- Para hacer efectiva la garantía no deben exigirse mayores requisitos que la presentación del producto y la póliza correspondiente, debidamente sellada por el establecimiento que lo vendió.
- Para hacer efectiva la garantía, lleve su aparato al Centro de Servicio Autorizado más cercano a su domicilio (consulte la lista anexa).
- Si no existe Centro de Servicio Autorizado en su localidad llame a nuestro Centro de Atención al Consumidor para recibir instrucciones de como hacer efectiva su garantía.
- El tiempo de reparación, en ningún caso será mayor de 30 días naturales contados a partir de la fecha de recepción del producto en nuestros Centros de Servicio Autorizados.
- En caso de que el producto haya sido reparado o sometido a mantenimiento y el mismo presente deficiencias imputables al autor de la reparación o del mantenimiento dentro de los treinta días naturales posteriores a la entrega del producto al consumidor, éste tendrá derecho a que sea reparado o mantenido de nuevo sin costo alguno. Si el plazo de la garantía es superior a los treinta días naturales, se estará a dicho plazo.
- El tiempo que duren las reparaciones efectuadas al amparo de la garantía no es computable dentro del plazo de la misma. Cuando el bien haya sido reparado se iniciará la garantía respecto de las piezas repuestas y continuará con relación al resto. En el caso de reposición del bien deberá renovarse el plazo de la garantía.

DÍA\_\_ MES\_\_ AÑO\_\_

Si desea hacer comentarios o sugerencias con respecto a nuestro servicio o tiene alguna queja derivada de la atención recibida en alguno de nuestros Centros de Servicio Autorizados, por favor dirigirse a:

**GERENCIA INTERNACIONAL DE SERVICIO**  
01 800 71 16 100Email: [mexico.service@hamiltonbeach.com.mx](mailto:mexico.service@hamiltonbeach.com.mx)**RED DE CENTROS DE SERVICIO AUTORIZADA GRUPO HB PS, S.A. DE C.V.****Distrito Federal****ELECTRODOMÉSTICOS**Av. Plutarco Elías Calles No. 1499  
Zacahuiztco MEXICO 09490 D.F.  
Tel: 01 55 5235 2323 • Fax: 01 55 5243 1397**CASA GARCIA**Av. Patriotismo No. 875-B  
Mixcoac MEXICO 03910 D.F.  
Tel: 01 55 5563 8723 • Fax: 01 55 5615 1856**Nuevo Leon****FERNANDO SEPULVEDA REFACCIONES**Ruperto Martínez No. 238 Ote.  
Centro MONTERREY, 64000 N.L.  
Tel: 01 81 8343 6700 • Fax: 01 81 8344 0486**Jalisco****SERVICIOS DE MANTENIMIENTO CASTILLO**Garibaldi No. 1450  
Ladrón de Guevara  
GUADALAJARA 44660 Jal.  
Tel: 01 33 3825 3480 • Fax: 01 33 3826 1914**Chihuahua****DISTRIBUIDORA TURMIX**Av. Paseo Triunfo de la Rep. No. 5289 Local 2 A.  
Int. Hipermart  
Alamos de San Lorenzo  
CD. JUAREZ 32340 Chih.  
Tel: 01 656 617 8030 • Fax: 01 656 617 8030**Modelos:****68550C, 68550E, 68551E, 68552E****Tipo:****IC05****Características Eléctricas:****120V~ 60Hz 12.5 W**

**Los modelos incluidos en el instructivo de Uso y Cuidado pueden ir seguidos o no por un sufijo correspondiente a una o varias letras del alfabeto y sus combinaciones, separadas o no por un espacio, coma, diagonal, o guión. Como ejemplos los sufijos pueden ser: "Y" y/o "MX" y/o "MXY" y/o "Z".**